

AWCL-300-R

3 channels RGB LED Repeater

USER'S MANUAL



LED RGB Repeater

1. Introduction:

1.1 Features

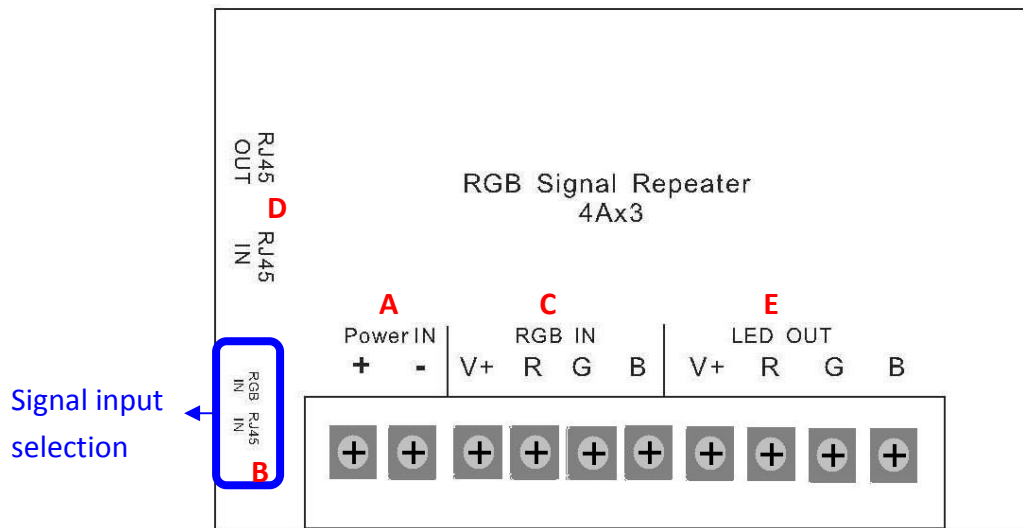
- AWCL-300-R is simple and apt to operate general purpose RGB LED Repeater.
- The maximum output is 4A x 3 channels, that is 150W/12V or 300W/24V °
- Option for RGB/RJ45 input.

1.2 Specifications

Operation Voltage	DC10V~30V °
LED Output Power	150W/12V or 300W/24V
LED Module Type	Constant Voltage with constant current or Constant voltage with limit voltage.
Max output current	4A/channel x 3 channel
Weight	245g
Size	L:110mmxW:70mmxH:23mm
Operation Temperature	0°C ~+50 °C
Storage Temperature	-10°C ~ +60 °C

2. User Guide

2.1 Input/output interface



< Front Side >

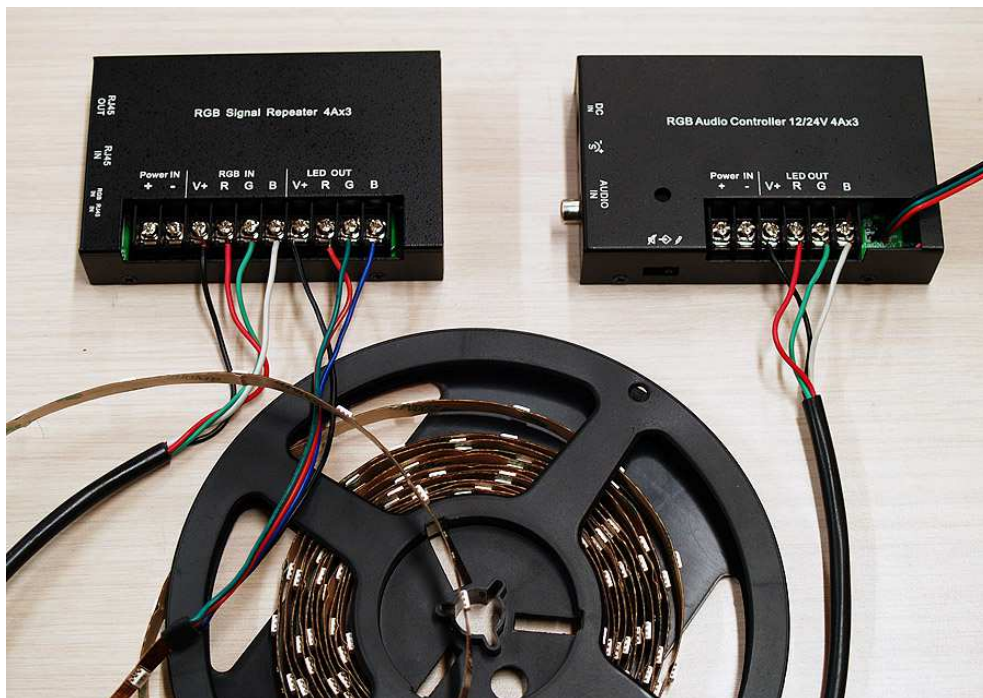
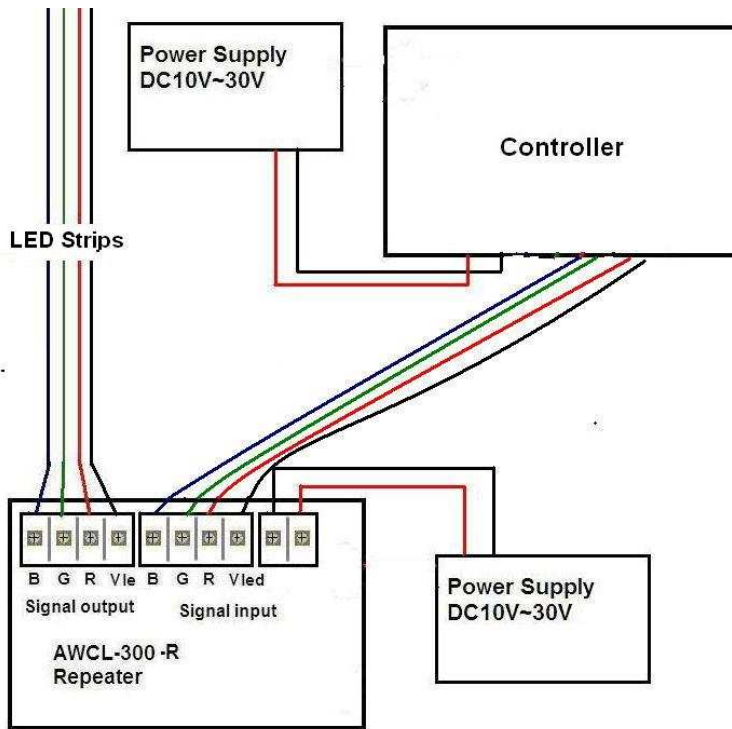


< Side View >

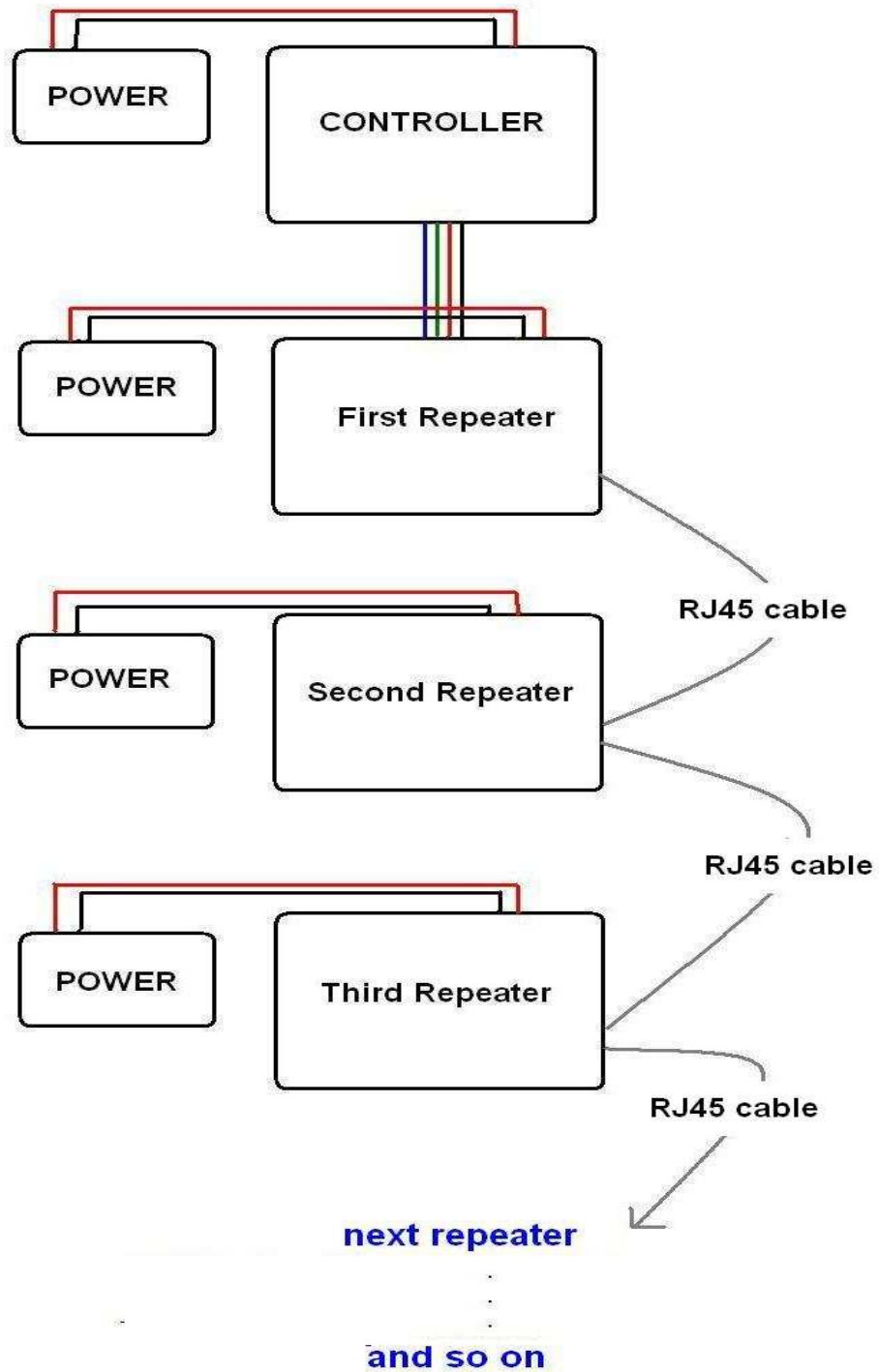
- A. **Power In:** Power input (V+, V-)
- B. **RGB IN/ RJ45 IN:** Switch for selecting the RGB signal input mode.
- C. **RGB IN (V+, R ,G , B):** The connector for signal input in “RGB IN” mode.
- D. **RJ45IN/ RJ45 OUT:** If select the “RJ45 IN” mode to input the signal, “RJ45 IN” is for connecting RJ45 cable to input signal and “RJ45 OUT” is for connecting RJ45 cable to output the signal.
- E. **LED OUT (V+, R, G, B) :** The connector for LED out.

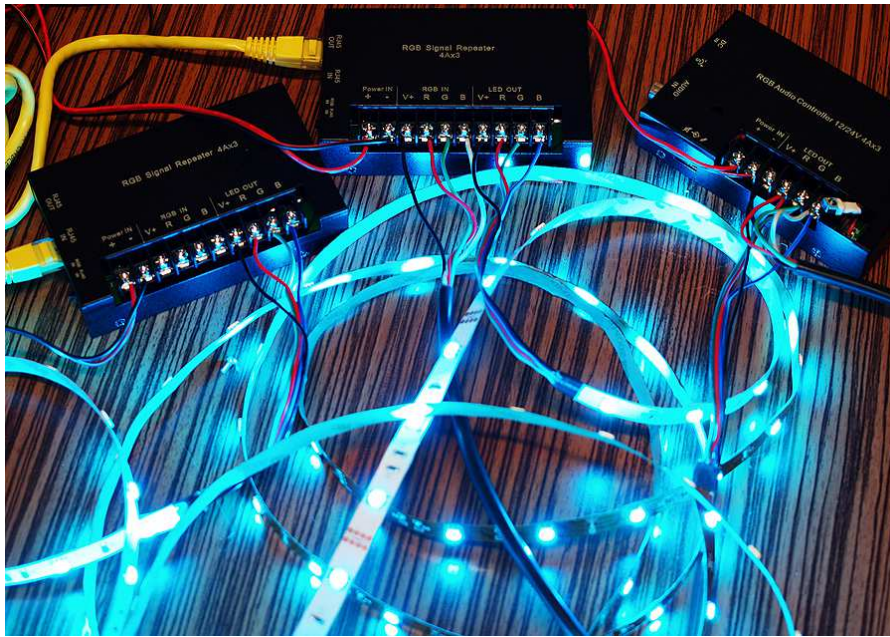
2.2 Application

- A. "RGB IN" mode to input the signal: Connect AWCL-300-R Signal Repeater with a RGB LED Controller by LED light for extension connecting.



B. "RJ45 IN" mode to input the signal:





LED RGB Repeater



Alphawave Photonics Corp.

1F, No 283, Chang-an Street, Banciao District, New Taipei City, Taiwan R.O.C

<http://www.awled.com>

TEL: +886-2-29582417 FAX: +886-2-29582437